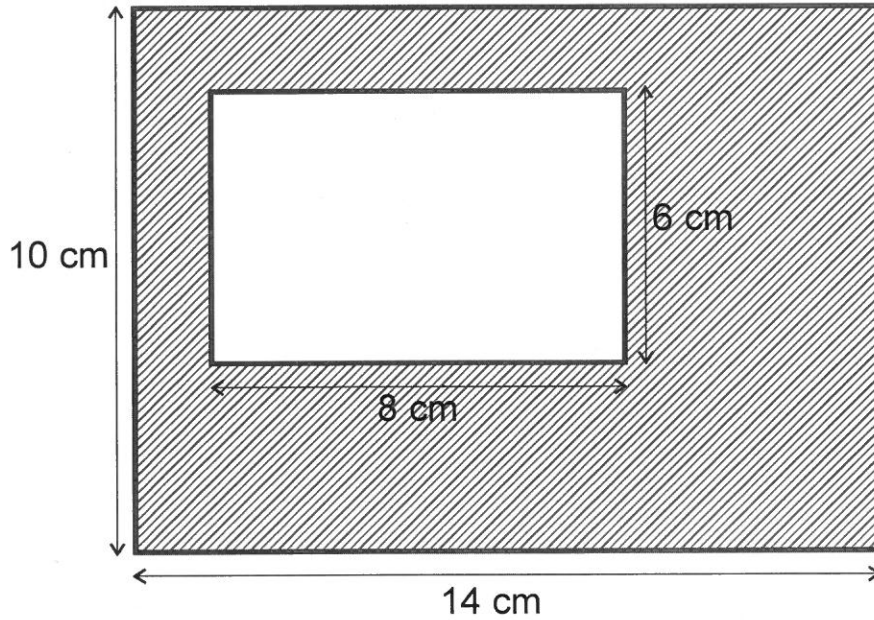


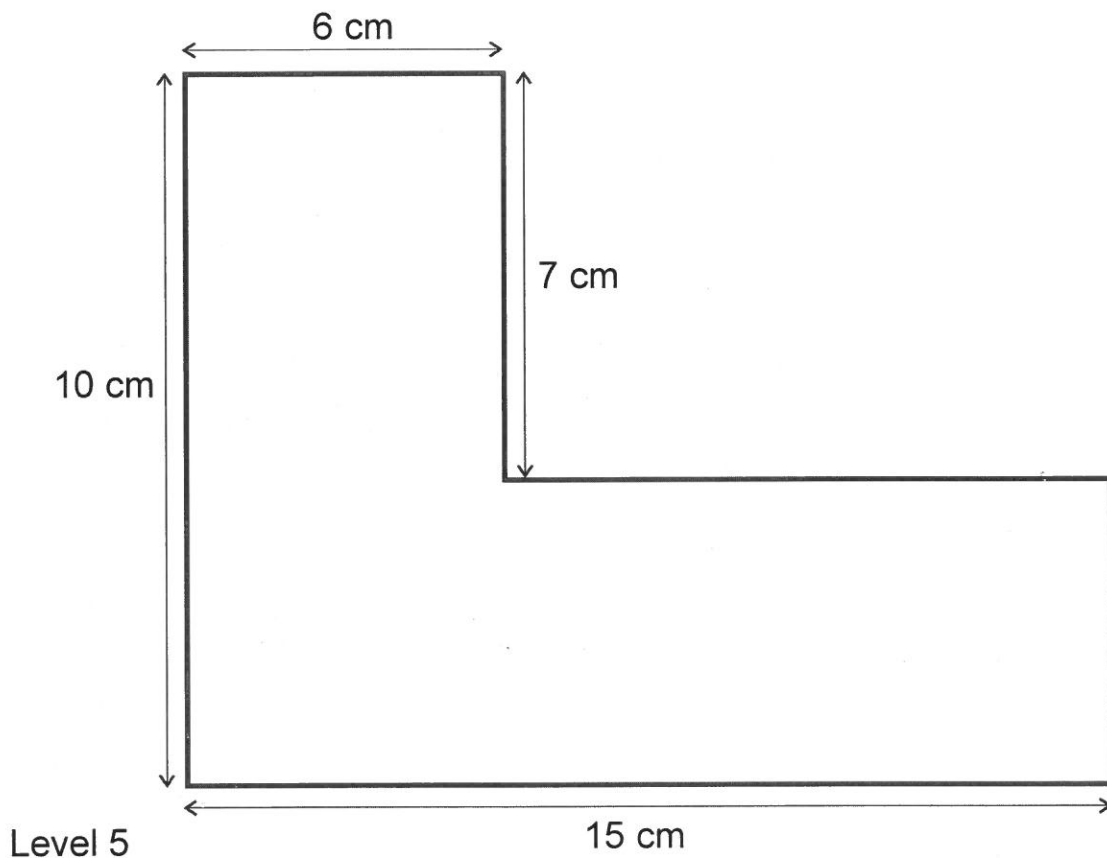
S16

Just For Fun

1) Find the area of the shaded section.



2) Find the area of the shape below.



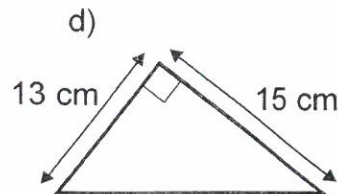
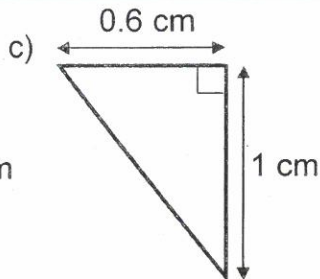
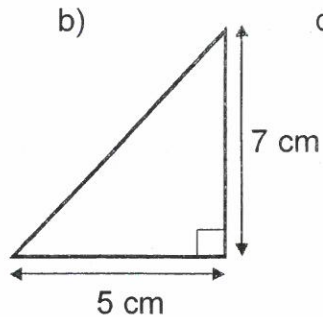
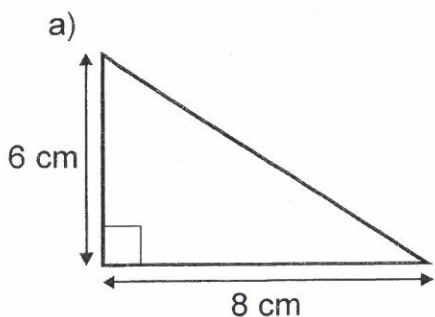
Level 5

15 cm

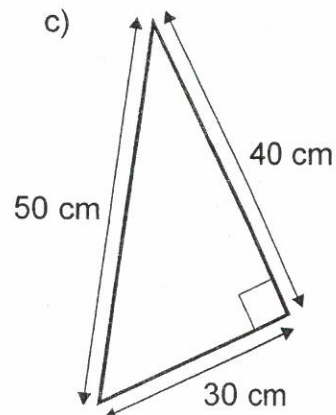
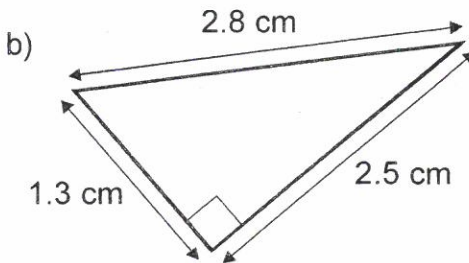
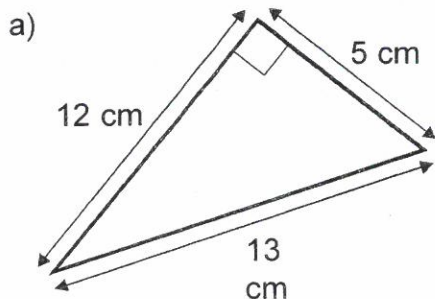
N13 N14 N15 N16 N17 N18 C14 C15 C16 C17 C18 C19 C20 C21
A3 A4 A5 A6 S13 S14 S15 S16 D6 D7

S24 Area of a Triangle

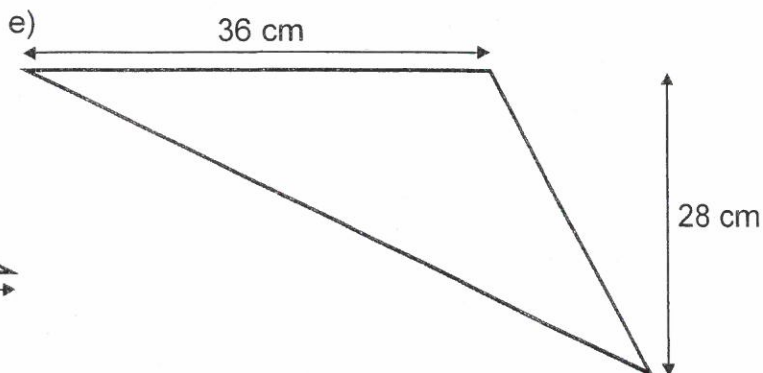
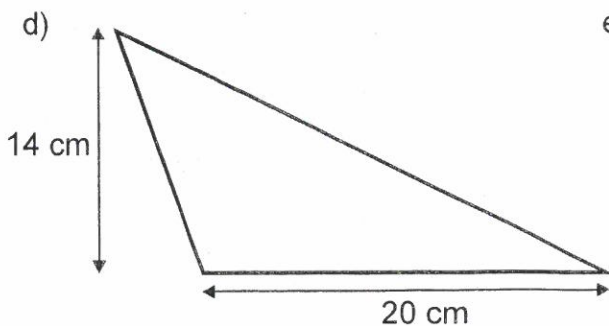
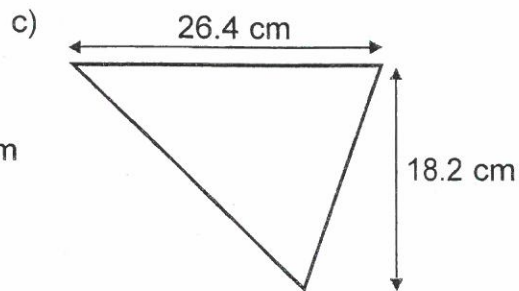
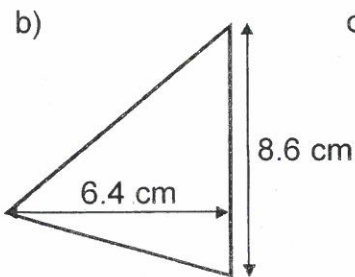
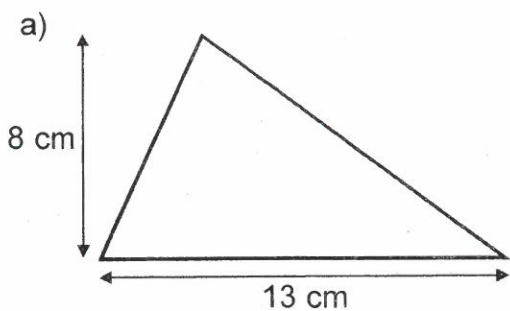
1) Find the areas of the following triangles



2) Find the areas of the following triangles



3) Find the areas of the following triangles



Level 6