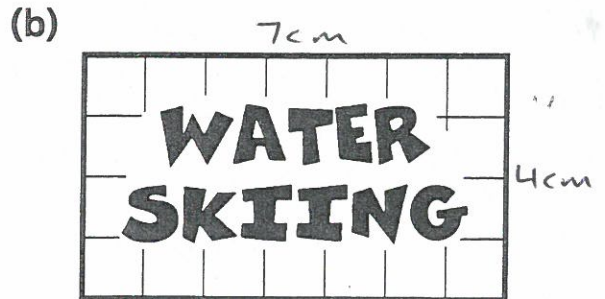




1 Find the area, in squares, of each rectangle.

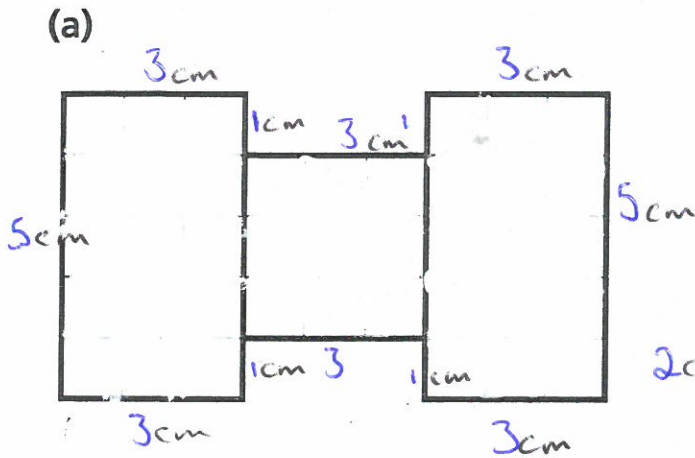


Area = _____ squares

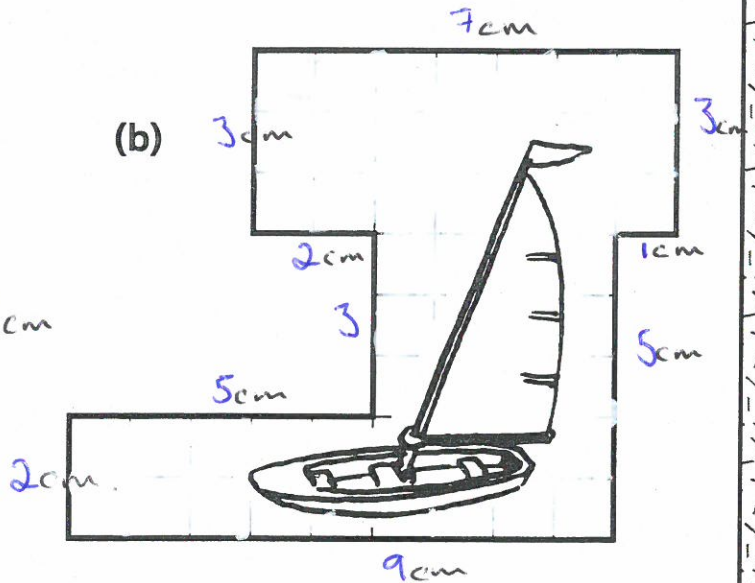


Area = _____

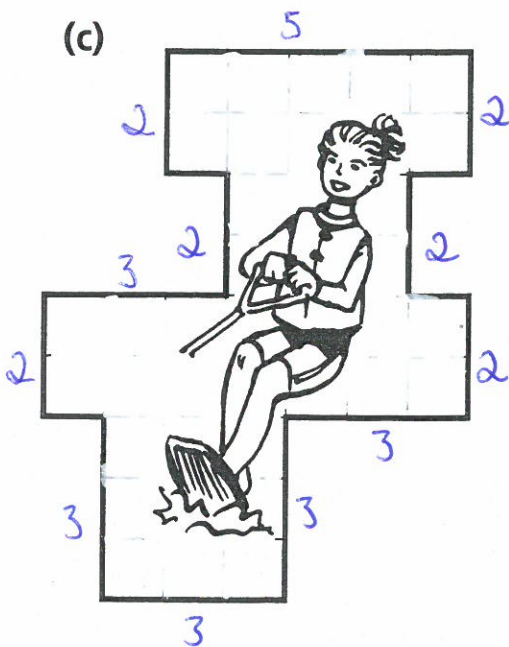
2 Find each area, in squares.



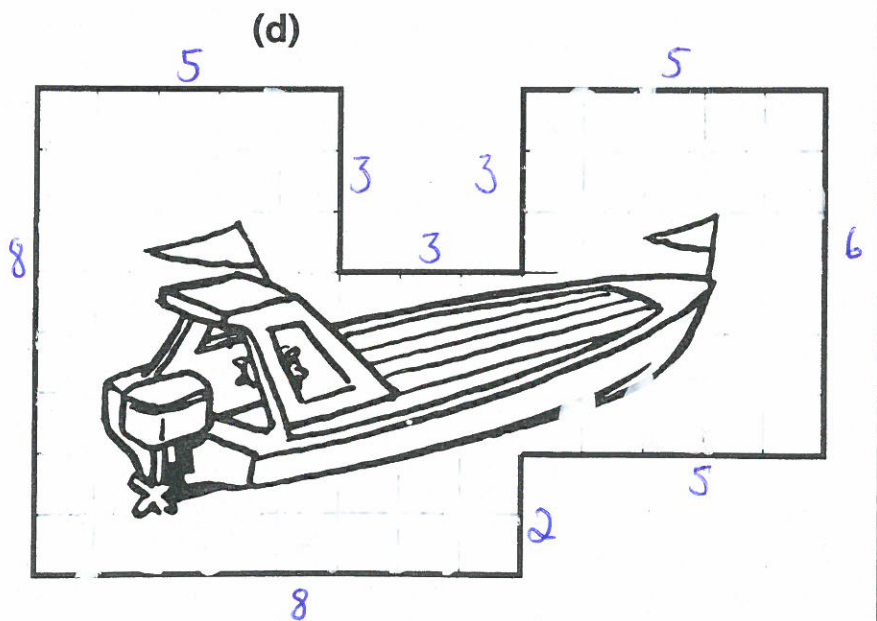
Area = _____



Area = _____



Area = _____



Area = _____